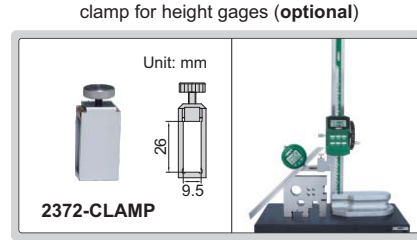
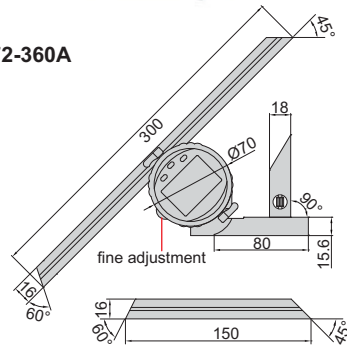
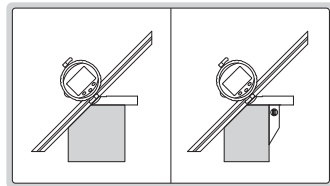
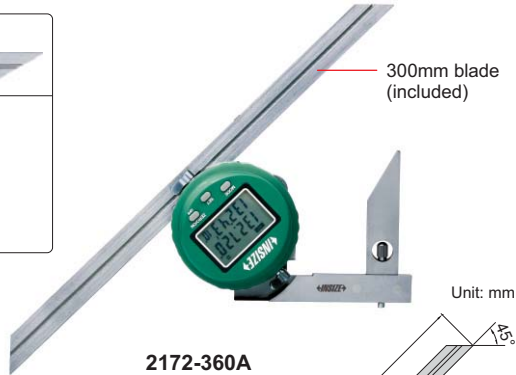
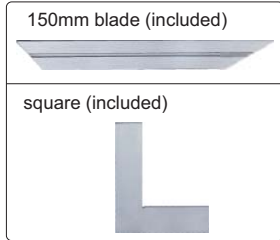


# DIGITAL PROTRACTOR

DATA  
OUTPUT



- Display in degree (for example 32.655°) and degree/minute/second (for example 32°39'30")
- SET button: preset the reading, change measuring direction
- MODE button: choose 0~90°, 0~180° or 0~360° display
- ZERO/ON/OFF button: zero and power on/off
- Battery CR2032, automatic power off
- Data output
- Supplied with square to set 90°
- Made of stainless steel
- Optional accessory: data output cable (code 7302-SPC3B, 7305-C02, 7305-SPC1B, 7315-50), clamp (code 2372-CLAMP), suitable for height gages 1156, 1351 and 1250

| Code      | Range  | Resolution | Accuracy |
|-----------|--------|------------|----------|
| 2172-360A | 0-360° | 10"/0.005° | ±5'      |